



# ORDER PICKING SOLUTIONS

The optimal choice when it comes to order picking up to 6.5 metres



# EAV

## Electric Access vehicle

- Low/Medium volume order picking and retail environment
- Max. Platform height: 2.99m - Picking height 4.50m
- Truck size: 1365x1440x750mm, turning radius (1260), suitable for narrow spaces
- Light and flexible
- AGM Battery (maintenance free), Li-Ion as option



## Your flexible and stable Electric Access Vehicle

The EAV meets the need of retail, occasional order picking, inventory as well as maintenance work with a lifting height of 2.99m and a picking height of over 4.5m

### Powered front load tray

Unit includes a powered front load tray with a carrying capacity of 200lbs. The lifting cylinder used to elevate the tray is shielded with an angled cover to protect it and items on the lower load deck from damage.

### Operator's compartment

The spacious 650mm x 650mm clear cabin area is fully enclosed by an automatic locking rear entry gate. Operator presence sensors include a foot switch and right hand sensor. The operator's compartment features a low 25mm step height, 1065mm high railings, and colored side panels. The compartment floor, rear gates and mast cap are cushioned for operator comfort. Obstruction presence sensors are included below the operator's compartment on the lower chassis.

### Battery & charger

(2) 12v 120AH AGM maintenance free batteries are located in the lower chassis. Integral 110 VAC smart charger @15A. Lithium Ion Option is Also Available

### Standard Options

- Powered front load tray
- Electronic power steering
- Forward facing blue light
- Rear flashing warning light
- Battery discharge indicator w/hour meter
- Accessory bars and file pouch
- Cushioned floor mat and mast cap
- Integral 24v battery and 110v charger
- Key switch, horn, emergency power disconnect, slope alarm, stability tabs

### Hydraulic pump & reservoir

The hydraulic pump and reservoir is fully enclosed within the powerhead to reduce chances for leakage when used in a commercial environment and lowering valve is located on the chassis should the unit ever become stuck in the air.

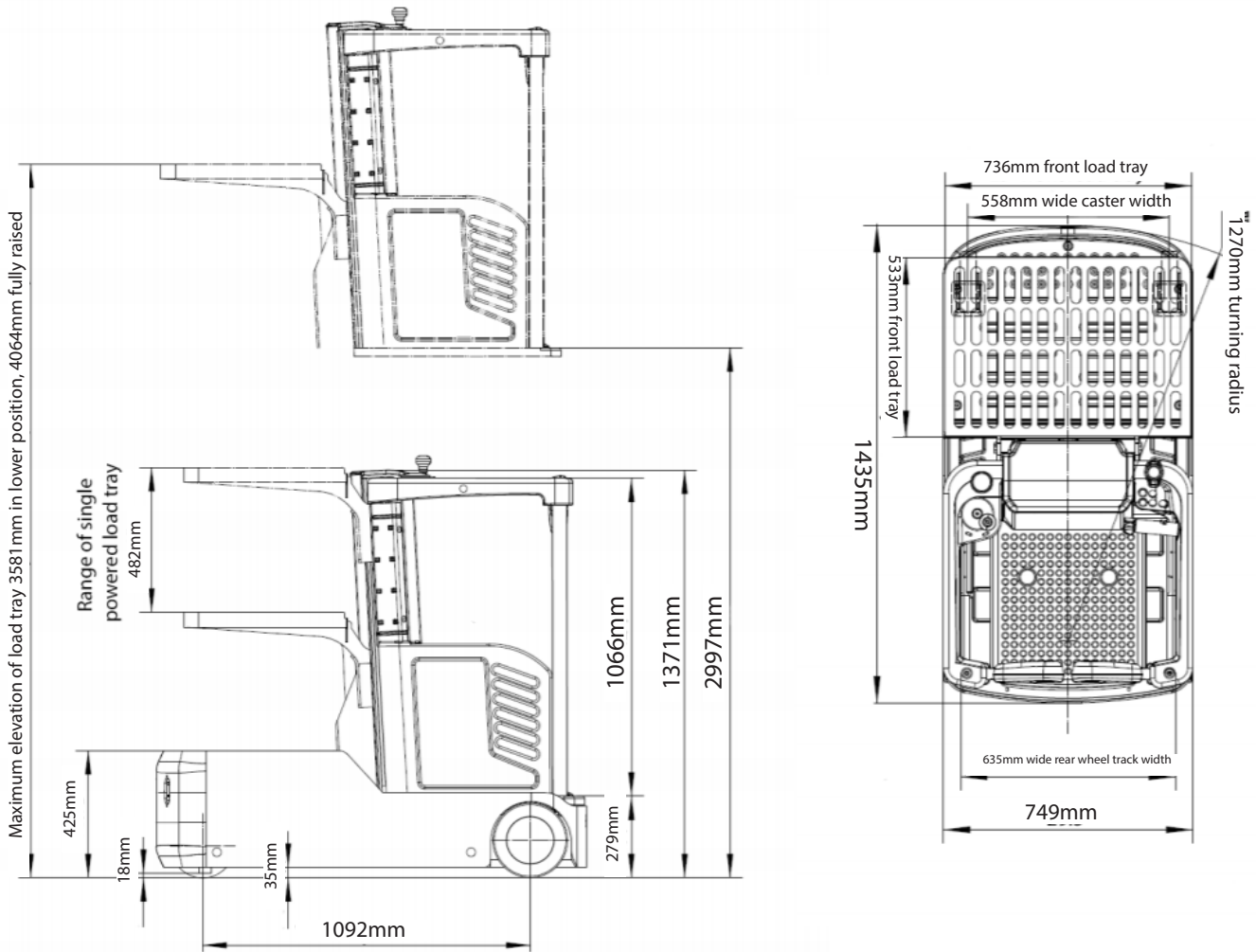
### Operator controls

The right-hand operator control pod features fingertip lift/lower buttons for the operator platform, front load tray, horn, and travel. Also included is a recessed emergency power disconnect. On the left-hand control pod, the steering tiller, battery discharge indicator with hour meter and key switch are provided.



### Optional Extras

- Audible back-up or travel alarm
- Plexiglass insert for front load tray
- Rail guidance



All measurements shown are maximum elevations in standard "mm" units.

Vehicle Model	Equipment type	Mast	Operator Platform	Front Load Tray	Collapsed Height	Extended Height	Weight (kgs)
340kg total vehicle capacity (90kgs front load tray, 113kg front load deck, 136kg operators compartment)							
EAV	Access Vehicle	Three Stage	2997mm	4060mm	1370mm	4089mm	840kg

## Technical Specifications

Stand height, elevated	mm	3000
Rated capacity on front platform	kg	90
Rated capacity on behind platform	kg	110
Rated capacity on standing platform	kg	136
Service weight (including battery)	kg	800
Height, mast lowered	mm	1365
Overall length	mm	1440
Overall width	mm	750
Ground clearance, centre of wheelbase	mm	35
Travel speed, laden/unladen	km/h	6/6.5
Battery voltage/nominal capacity K56	V/Ah	24/120



# TSV

## The professional Trade Services Vehicle

- High volume order picking in a warehouse environment
- Max Platform height: 4.80m - Picking height 6.3m
- Truck Size 1590x1500x800, turning radius (1385 ), suitable for narrow aisles in the warehouse
- Strong and steady
- AGM Battery (maintenance free), Large Lead-Acid battery as option. Simple Battery exchange



# The ultimate picking machine

The TSV is a worldwide unique order picker. Small, flexible but yet powerful!  
It can lift up to 4880mm and increase productivity by 20%.

## OPERATOR COMPARTMENT

Ergonomic fingertip control for travel, lift, and lower functions provide the operator with logical intuitive drive characteristics while traveling at elevation or lowered. Roomy operator compartment is designed for productivity. Large storage compartment allows storage of clip boards, pens, and miscellaneous fulfillment tools. Retractable compartment side-rails with audible alarm when raised.

## CHASSIS

Three point chassis design with along with 180° drive motor steering arc provides exceptional maneuverability. Powerhead mounted stability casters add additional truck stability and operator confidence at working heights of up to twenty feet.

## SPEEDS

24-volt ZAPI AC-0 travel controller with 4 operator selectable travel settings and turtle speed mode. Standard travel speeds are varibale from 0 to 5.5 kph with a high speed option available or ground level travel of up to 8 kph. Lift speed up to 42 fpm.

## MAST

Heavy duty I-beam design provides excellent stability at height. Steel mast channels and side mounted lift cylinders increases platform capacity.

## REGENERATIVE BRAKES

Regenerative braking is applied when the operator removes their hand from travel control or when travel speeds are reduced, Electromagnetic parking brake is applied after the truck is stopped

## STANDARD FEATURES

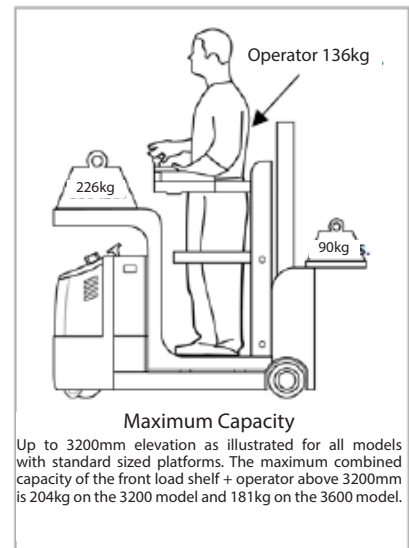
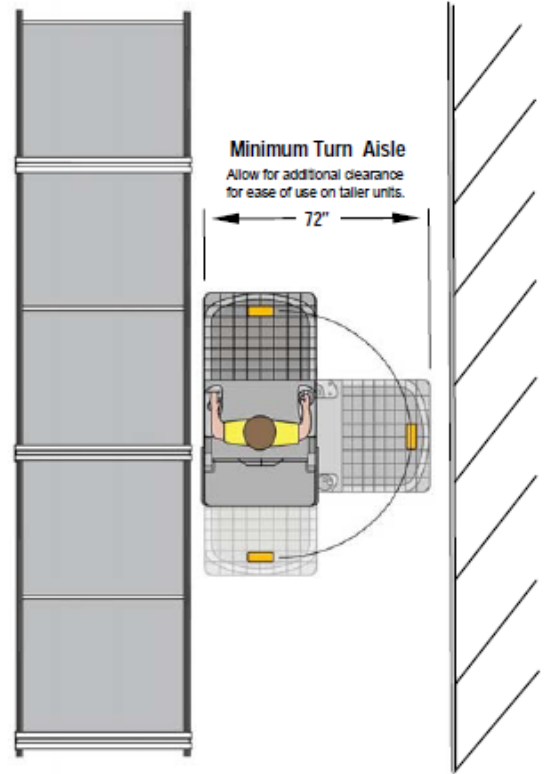
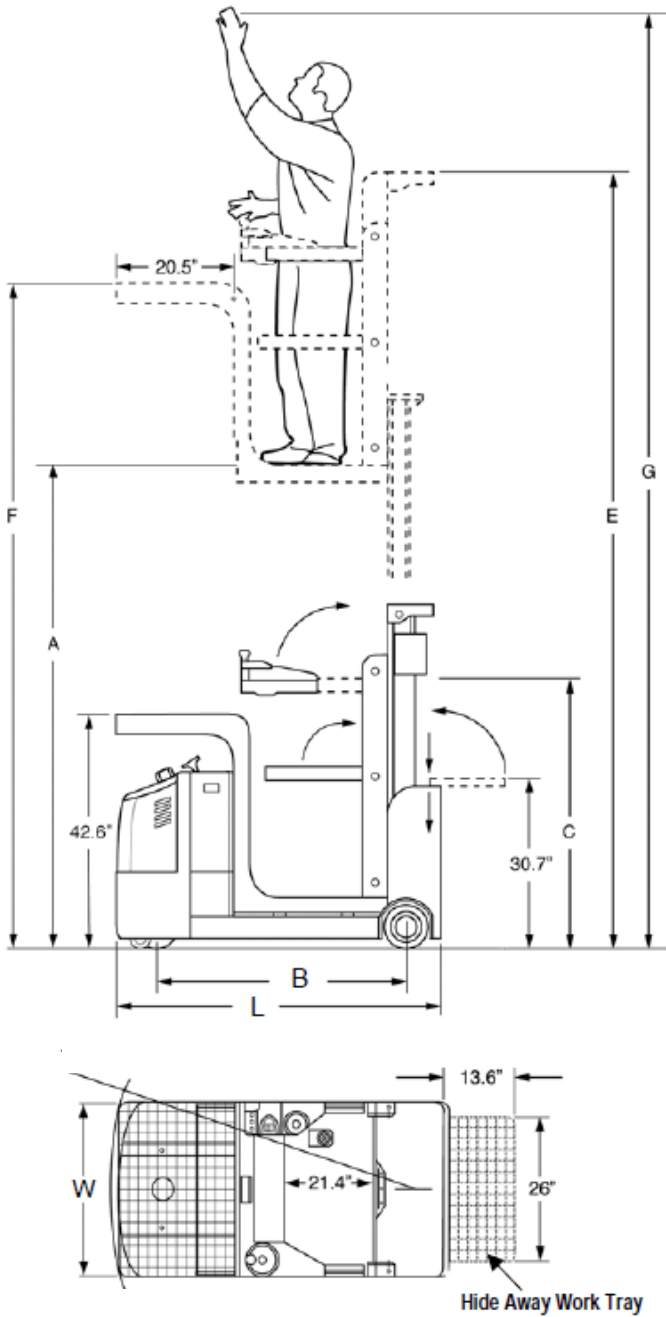
- Electronic power steering
- Hide away rear work tray
- Front and rear flashing light
- Battery compartment rollers

## OPTIONAL EQUIPMENT

- Anchor w/tether and harness
- High speed travel
- Tow hitch (1,000kg tow capacity)

## Technical Specifications

Stand height, elevated	mm	3200	3600	4100	4880
Rated capacity on front platform	kg	227	227	227	227
Rated capacity on behind platform	kg	137	137	137	137
Rated capacity on standing platform	kg	136	136	136	136
Service weight (including battery)	kg	1160	1230	1340	1530
Height, mast lowered	mm	1590	1670	2120	2120
Overall length	mm	1500	1500	1500	1610
Overall width	mm	800	800	800	860
Ground clearance, centre of wheelbase	mm	50	50	50	50
Travel speed, laden/unladen	km/h	5.5	5.5	5.5	5.5
Battery voltage/nominal capacity K56	V/Ah	24V/224AH	24V/224AH	24V/224AH	24V/280AH



Vehicle Model	Mast	Lift Height	Collapsed Height	Extended Height	Load Tray Height	Weight Height	Weight Chassis Only
		A	C	E	F	G	
3200	Triple Stage	3200mm	1010mm	3200mm	4038mm	5156mm	1160kg
3600	Triple Stage	3600mm	1010mm	3600mm	4038mm	5156mm	1230kg
4100	Triple Stage	4100mm	2082mm	4100mm	4953mm	6070mm	1340kg
4880	Triple Stage	4880mm	2108mm	4880mm	5715mm	6832mm	1530kg



**TITAN**  
RANGE  
BY HYUNDAI | FORKLIFTS AUSTRALIA

Hyundai Tower, 394 Lane Cove Rd,  
Macquarie Park NSW 2113  
Phone: 1300 363 368  
info@hyundai-forklifts.com.au  
hyundaimaterialhandling.com.au